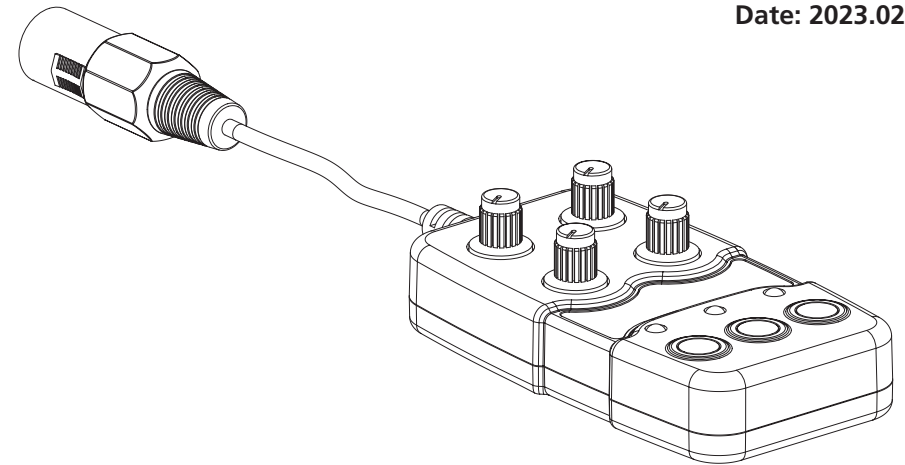


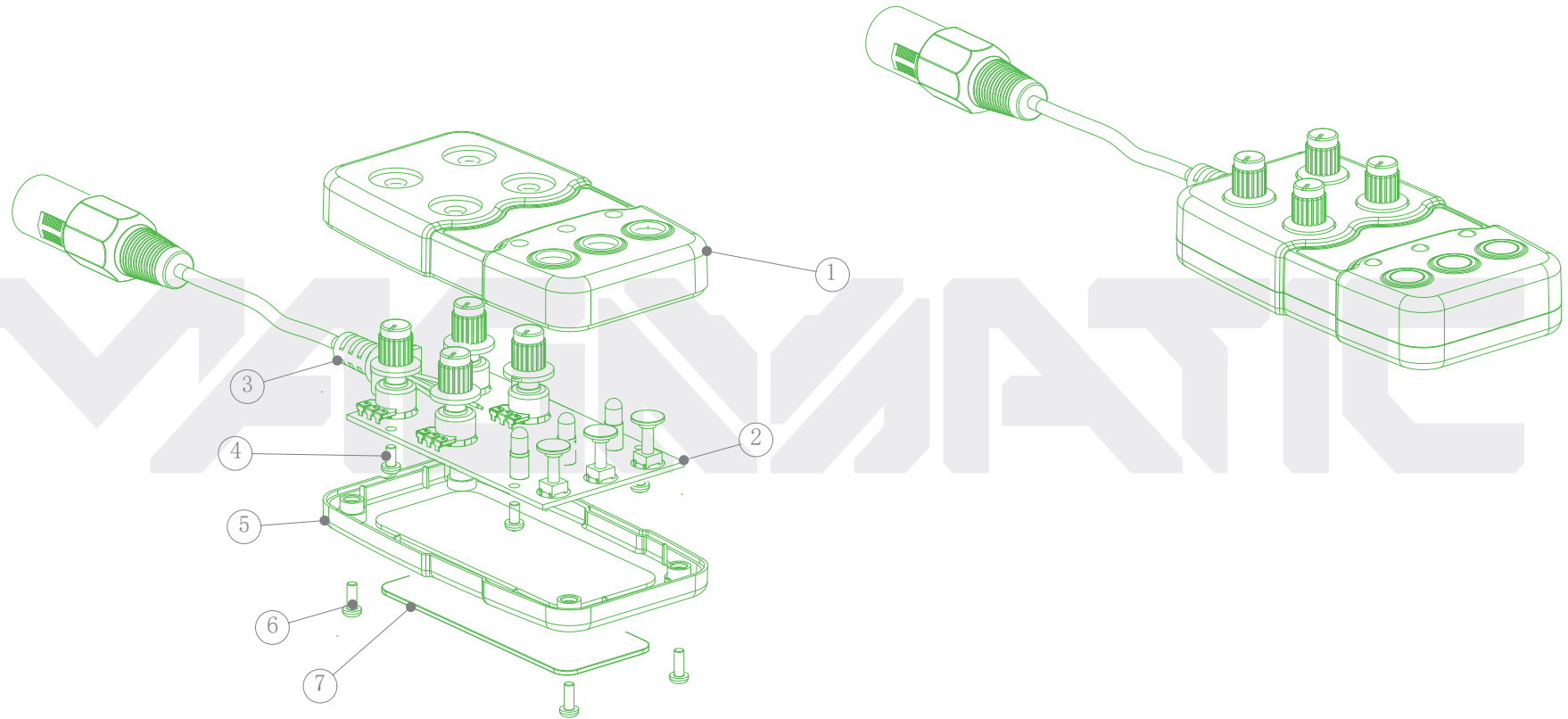
MagRemote-VIDI Service Manual

After Service Department
Version: V1.0
Date: 2023.02.10



MagRemote-VIDI Service Manual Contents

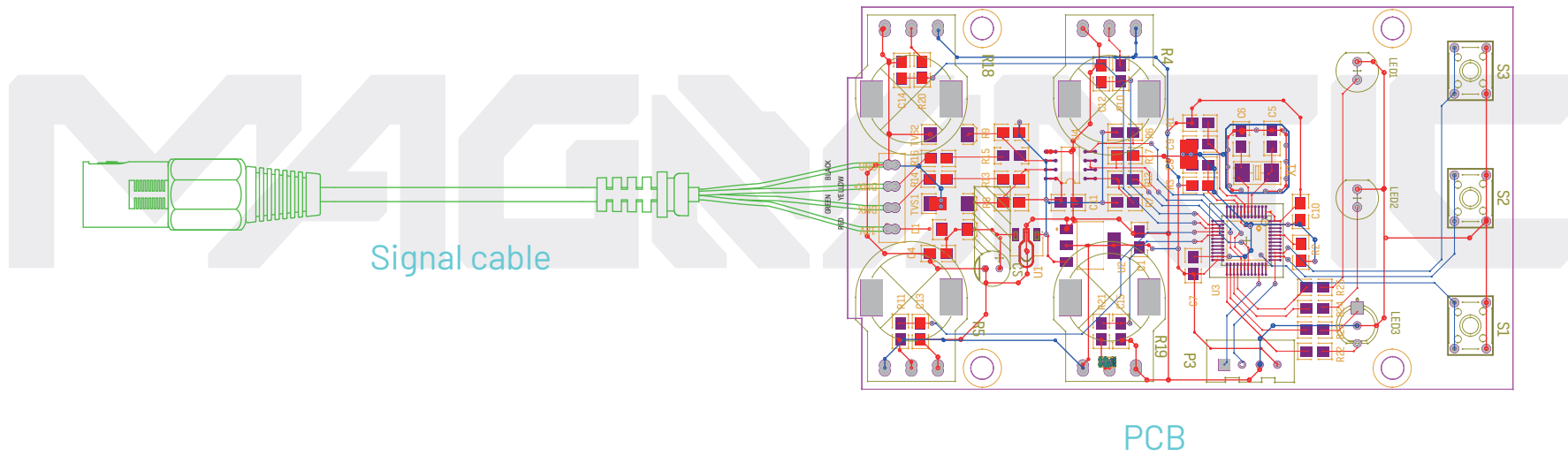
- Exploding View 1
- Wiring diagram 2
- Circuitry of The PCB 3



Item No.	MagRemote-VIDI		
Structure Name	Exploding View		
Date	2021.10.30	Version	1.0

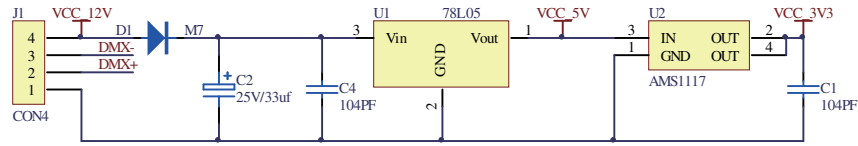
Note: + Crossed

⊥ Not Crossed

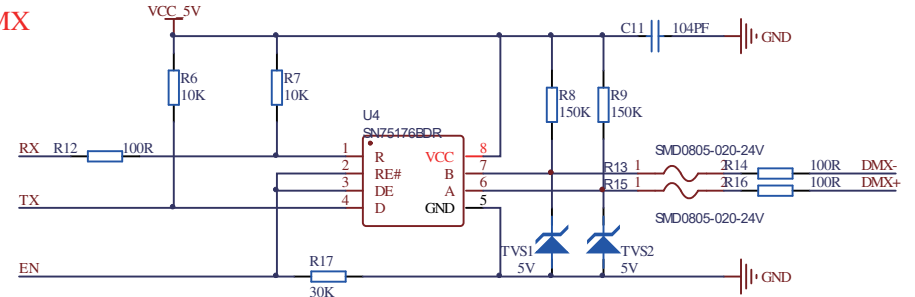


Item No.	MagRemote-VIDI		
Structure Name	Wiring diagram# MagRemote-VIDI -F001		
Date	2023.02.07	Version	1.0

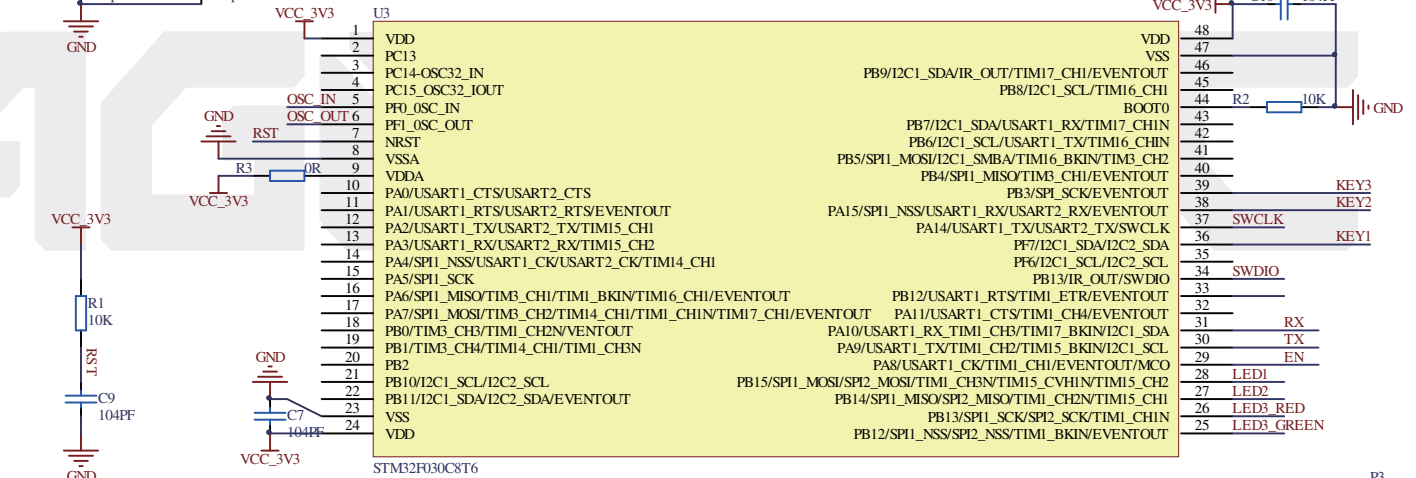
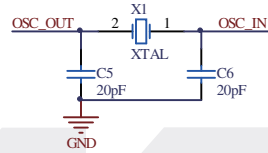
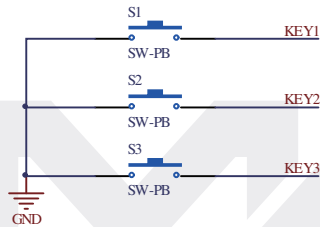
POWER



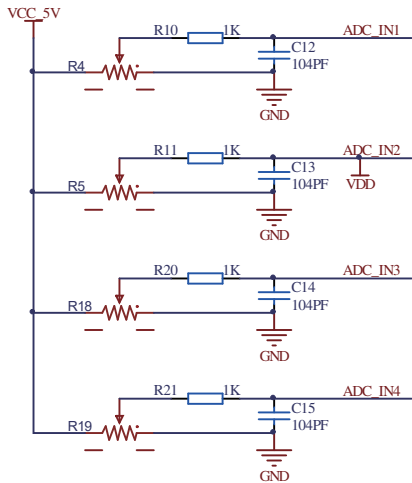
DMX



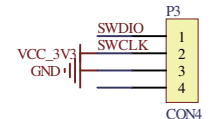
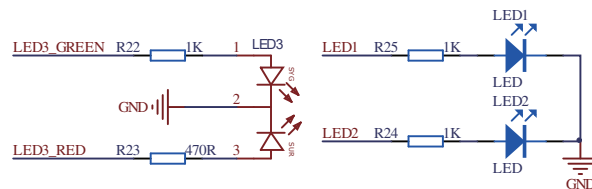
BUTTON



ADC



LED



Item No.	MagRemote-VIDI		
Structure Name	Circuitry of The PCB		
Date	2023.02.03	Version	1.0